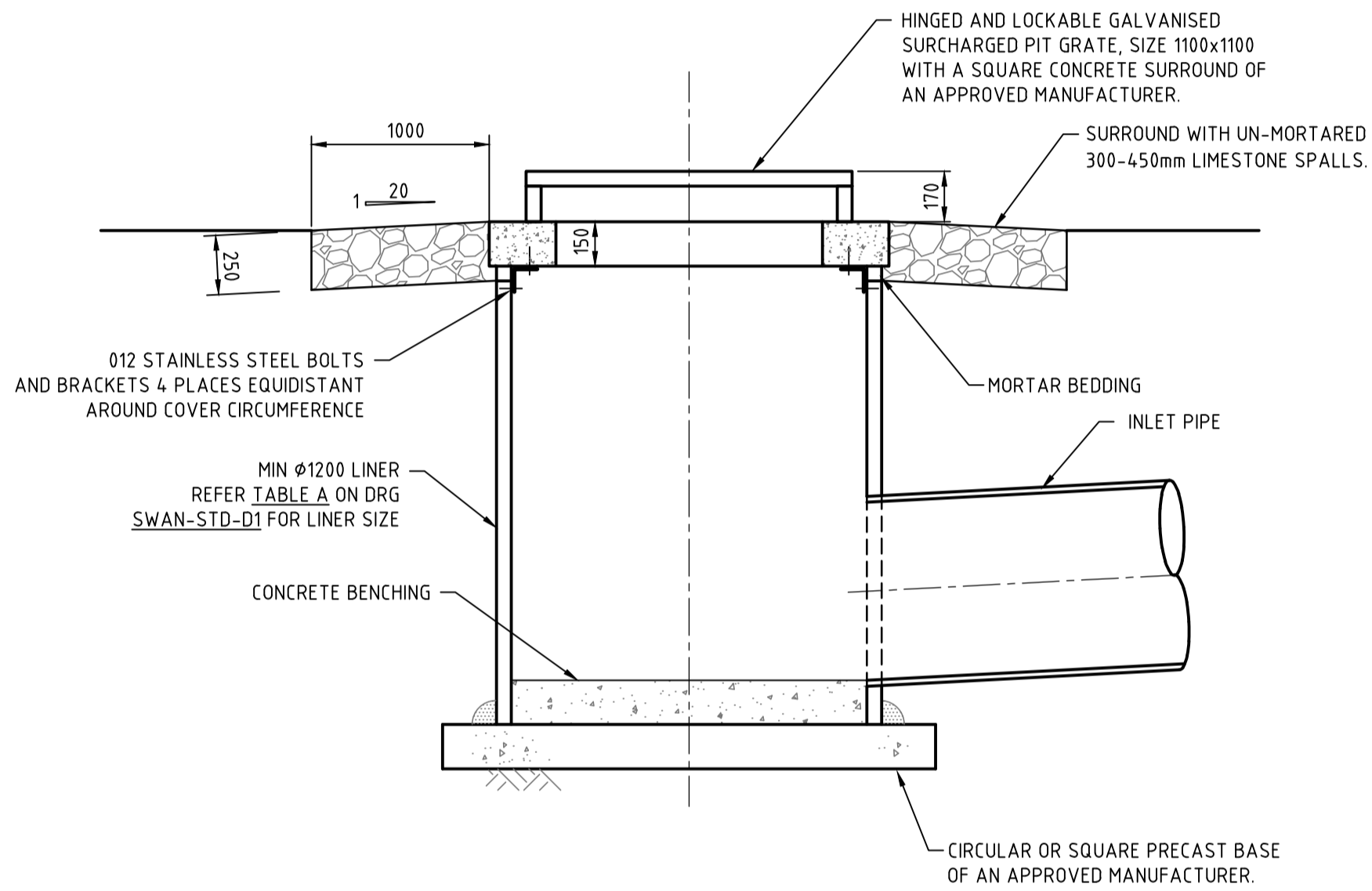
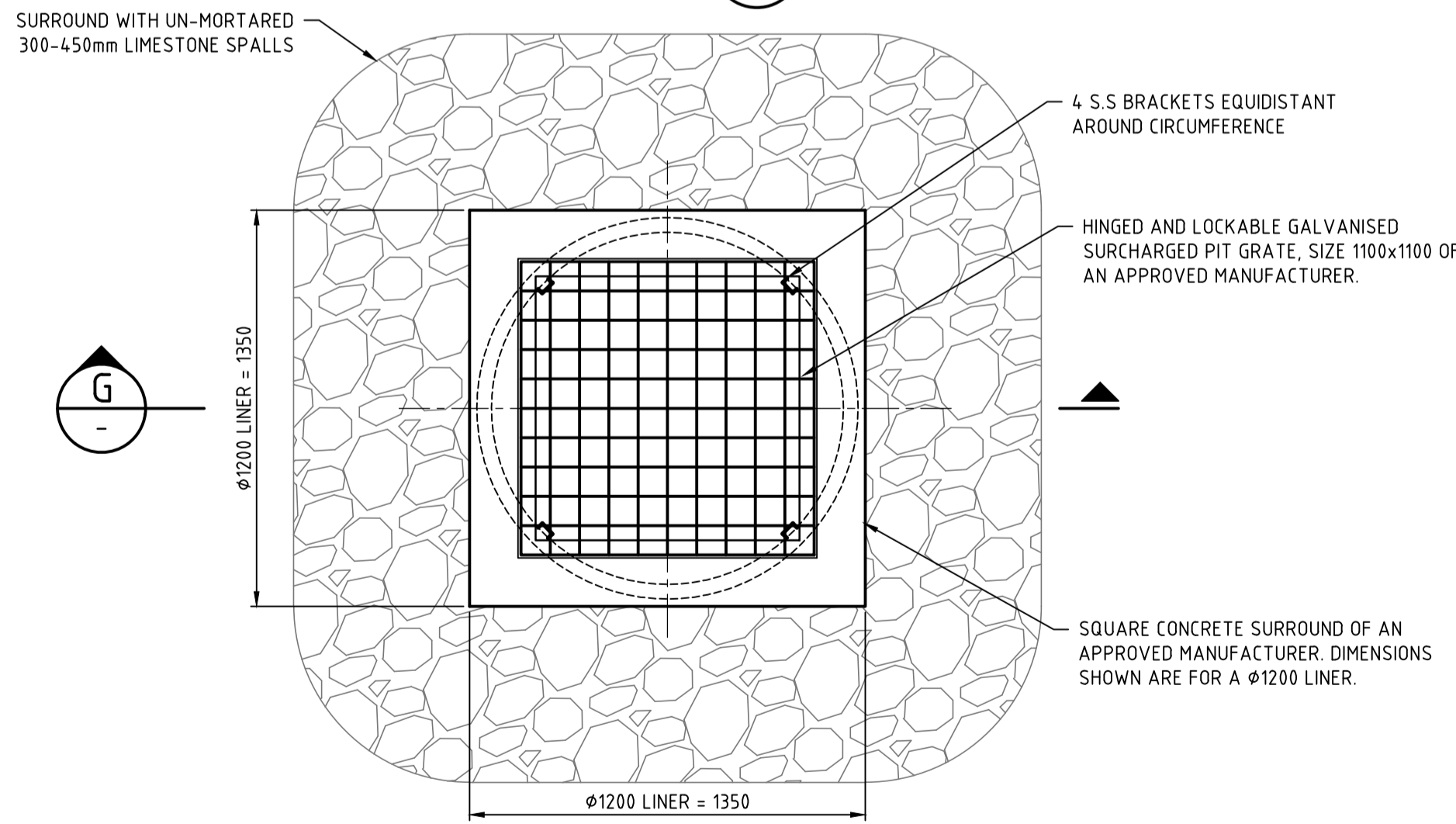


P.O.S. OUTLET PIT



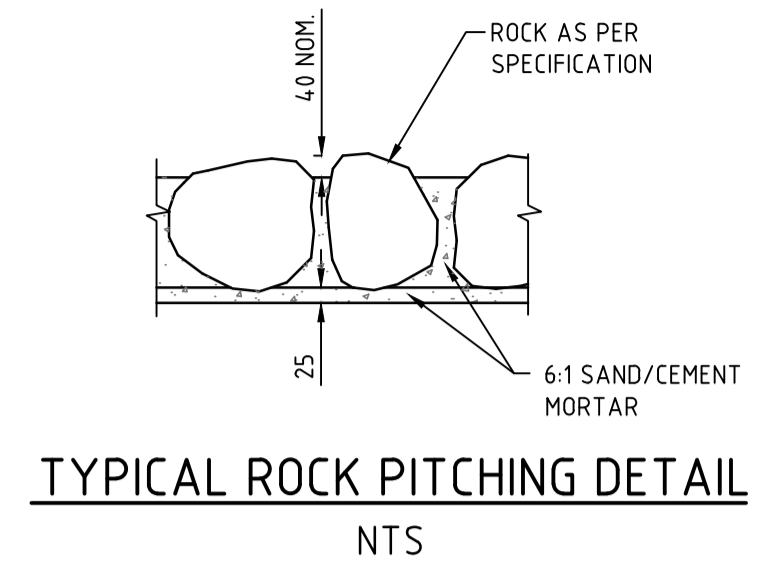
BUBBLE-UP PIT

SECTION G  
1:20

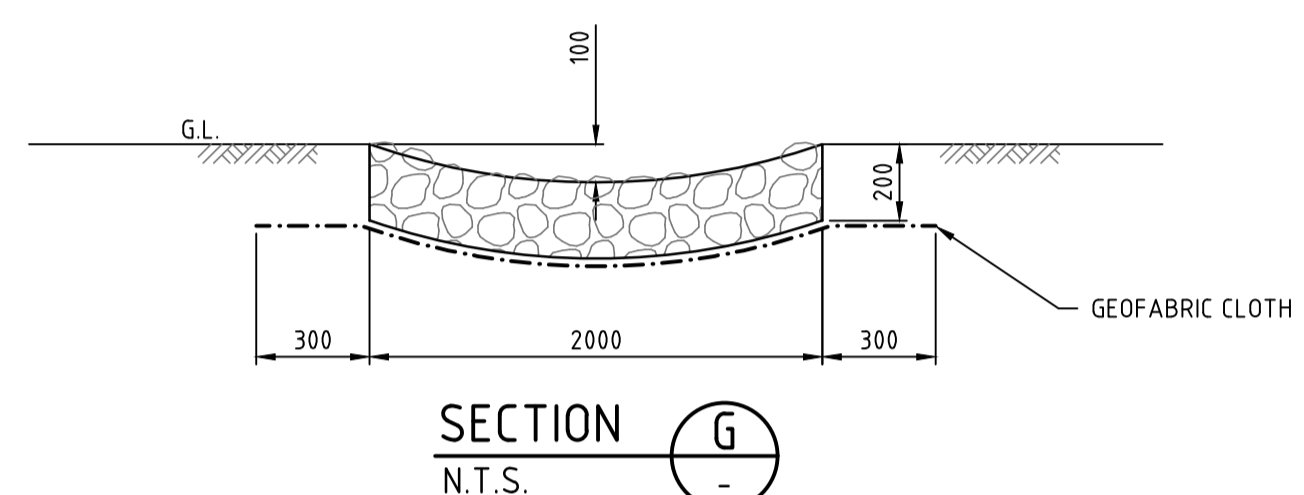


PLAN  
SCALE 1:20  
OUTLET STRUCTURE (OS)

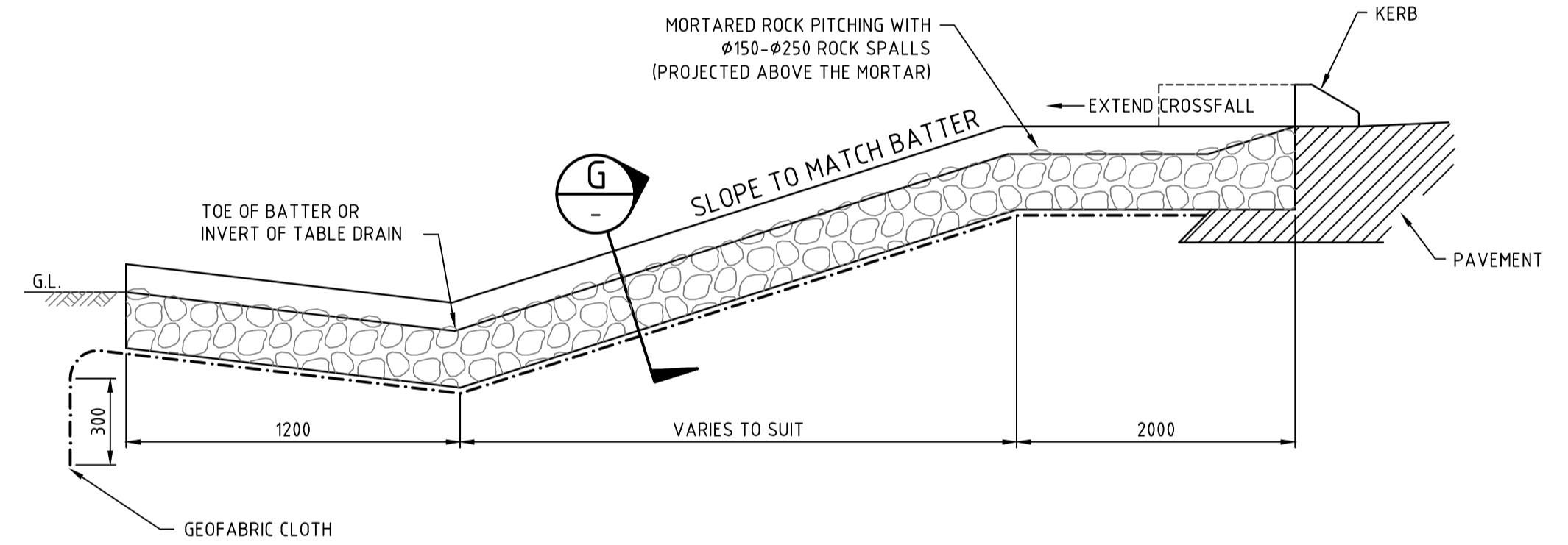
TABEC STANDARD DRAWINGS ARE PROVIDED AS A SUPPLEMENT TO THE CITY OF SWAN STANDARD DRAWINGS LISTED ON DRG No. 'SWAN-STD-S1'.



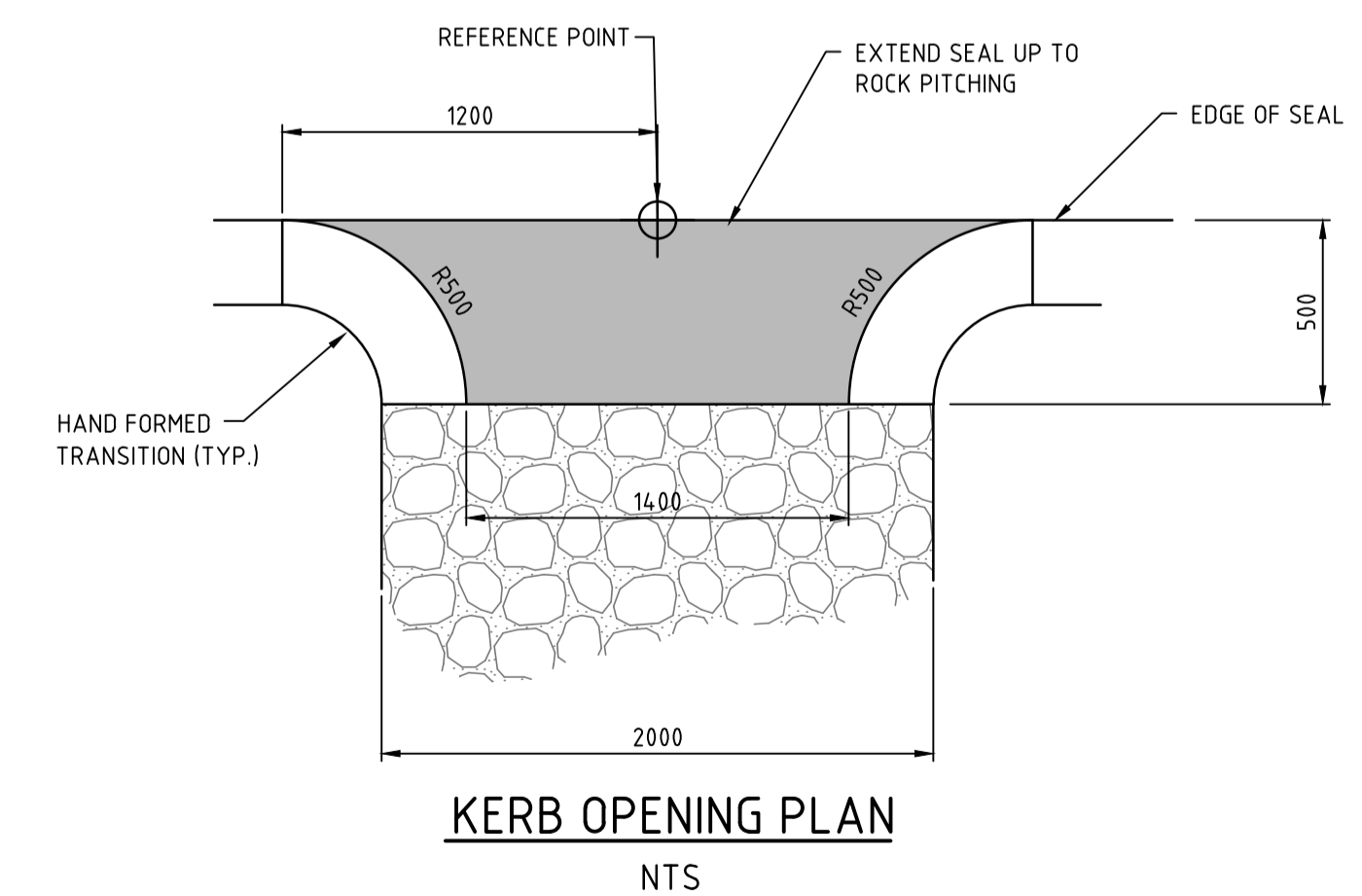
TYPICAL ROCK PITCHING DETAIL  
NTS



SECTION G  
N.T.S.



PROFILE ROCK PITCHING AT KERB OPENING & KERB RETURNS  
NTS



KERB OPENING PLAN  
NTS

T:\Projects\0000\_TABEC\_S14\_Dwg\City of Swan\SWAN-STD-D1-03.dwg 06/12/19 3:16:05 revans

No.	DATE	DRAWN	APPROVED	AMENDMENT	No.	DATE	DRAWN	APPROVED	AMENDMENT
2	06.12.19	RDE	JZ	CITY OF SWAN DETAILS REMOVED. REFERENCE TO 'SWAN-STD-S1' ADDED.					
1	05.04.19	RDE	JZ	STEP IRONS REMOVED FROM ALL DRAINAGE PITS.					
0	06.07.17	AI	BBF	ISSUED FOR CONSTRUCTION.					
A	10.02.17	AI	BBF	ISSUED FOR APPROVAL.					

This plan shall not to be used for construction unless issued as rev 0 and signed as approved.

**COPYRIGHT**  
The concepts and information contained in this document are the Copyright of TABEC Pty. Ltd. Use or copying of the document in whole or part without the written permission of TABEC Pty. Ltd. constitutes an infringement of copyright.

DESIGNED		CHECKED		APPROVED	
DRAWN		CHECKED		DATE	
RDE	JZ	B. FARRELL	06.12.19		

**TABEC**  
Civil Engineering Consultants

14 Wickham Street, East Perth WA 6004  
1 08 9425 5900 info@tabec.com.au  
www.tabec.com.au

PROJECT	CITY OF SWAN - STANDARD DRAWINGS
TITLE	STANDARD DETAILS DRAINAGE SHEET 2
DRAWING NUMBER	SWAN-STD-D2
ISSUE	2

SCALE 1:20