

NOTES:

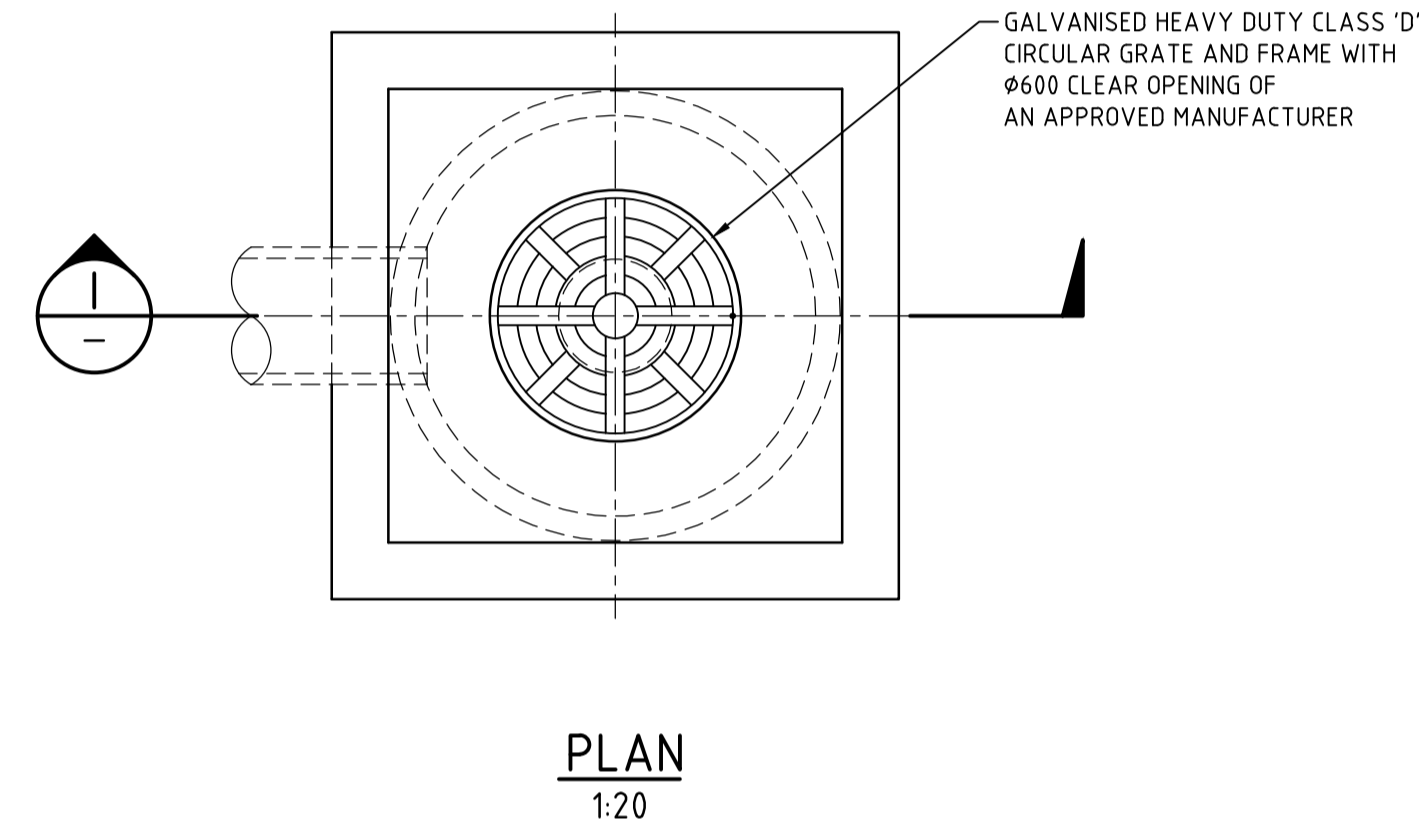
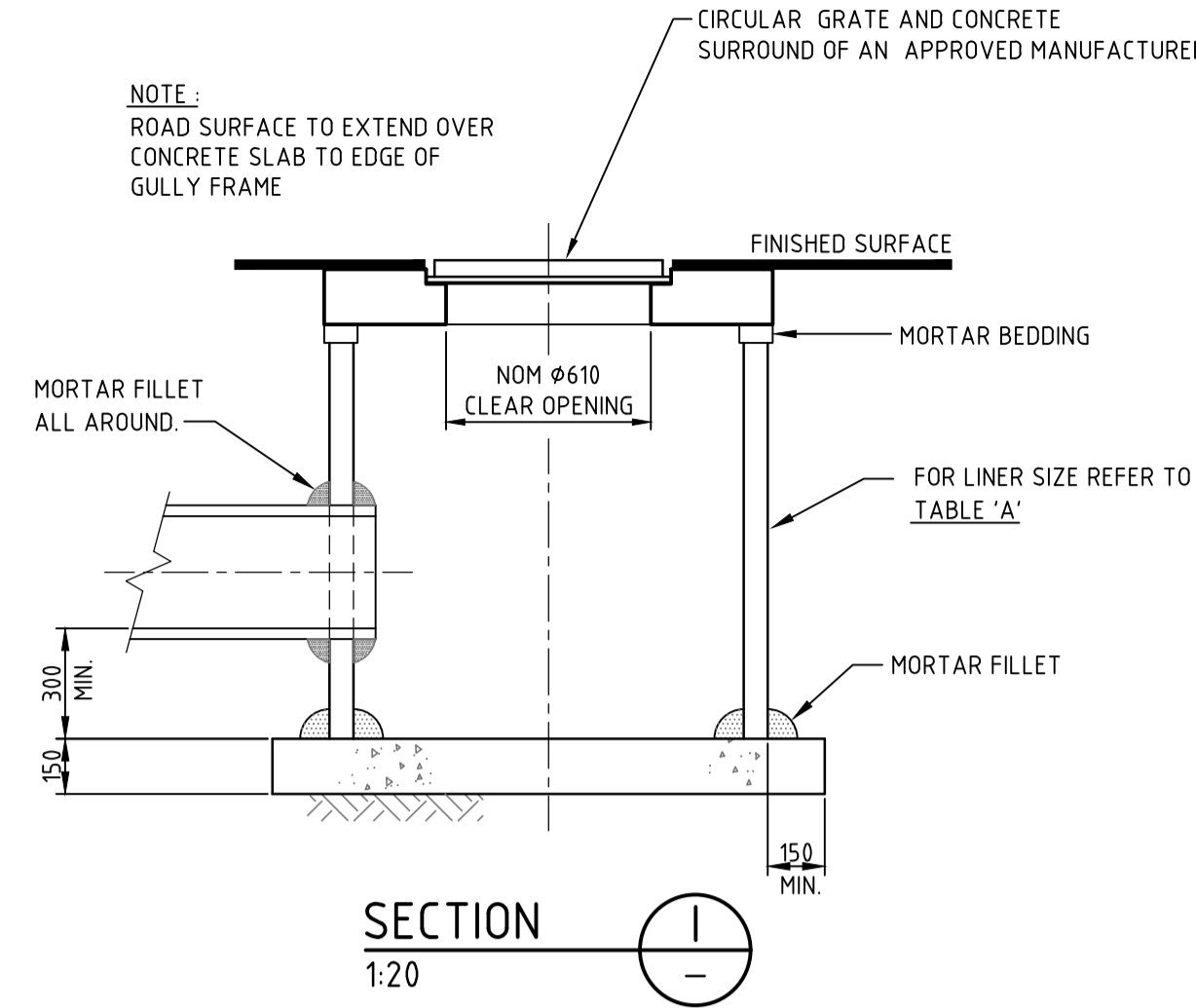
- ALL DIMENSIONS ARE IN MILLIMETERS U.N.O.
- ALL PRECAST COMPONENTS (PIPES, LIDS, LINERS & BASES) ARE TO BE SUPPLIED BY AN APPROVED MANUFACTURER AND ARE TO BE ASSEMBLED AS PER THE MANUFACTURERS GUIDELINES.
- CONCRETE TO BE 20mm NOM. AGGREGATE AND HAVE A MINIMUM COMPRESSIVE STRENGTH AT 28 DAYS OF:
 - 20MPa FOR INSITU BASE
 - 40MPa FOR PRECAST UNITS
- ALL REINFORCEMENT AND STEEL TO BE CLEAN AND FREE FROM OIL, RUST AND OTHER DELETERIOUS SURFACE COATINGS.
- STEP IRONS ARE NOT REQUIRED IN ANY DRAINAGE PITS.
- DRAINAGE PIT LIDS ARE TO BE POSITIONED OVER THE MOST ACCESSIBLE PIPE INVERT.
- ALL PITS SHALL BE INTERLOCKING JOINT, REINFORCED CONCRETE AND EQUIVALENT TO CLASS 2 PIPE.
- PIPE JOINTS WITHIN 1.0m OF PIT TO BE SEALED.
- SUBGRADE TO ALL PIT BASES TO BE COMPACTED TO 95% M.M.D.D. PRIOR TO PLACING OF BASE.
- BACKFILL SURROUNDING PIT TO BE TO 95% M.M.D.D.
- ALL COMPONENTS TO BE DESIGNED TO ACCEPT A14 LOADING AUSTRROADS STANDARD.
- BENCHING BETWEEN PIPES TO BE A CONCRETE MIX OF 3:1 FINE CRUSHED ROCK TO CEMENT.
- HOLES TO BE PUNCHED OUT ACCORDING TO MANUFACTURER'S SPECIFICATIONS.
- MORTAR FILLETS & BEDDING TO LINERS SHALL BE IN ACCORDANCE WITH MANUFACTURERS GUIDELINES. AS A GUIDE (U.N.O.):
 - MORTAR SHALL BE 3:1 SAND:CEMENT RATIO.
 - 100mm MORTAR SEAL TO PIPES AT CONNECTION TO LINER.
 - 100mm MORTAR SEAL BOTH INSIDE AND OUTSIDE OF LINER AT CONNECTION TO BASE SLAB.
 - 20mm MORTAR BEDDING TO LINERS AT CONNECTION TO LIDS.
- MAKE UP TO BASE OF CONCRETE SURROUNDS FROM TOP OF PIT LINER WITH 150mm WIDE CONCRETE PAD OR NEAT BRICKWORK AS NECESSARY.
- ALL TRAFFICABLE LIDS ARE TO BE CLASS 'D' TO AS3996:2006.

TABEC STANDARD DRAWINGS ARE PROVIDED AS A SUPPLEMENT TO THE CITY OF SWAN STANDARD DRAWINGS LISTED ON DRG No. 'SWAN-STD-S1'.

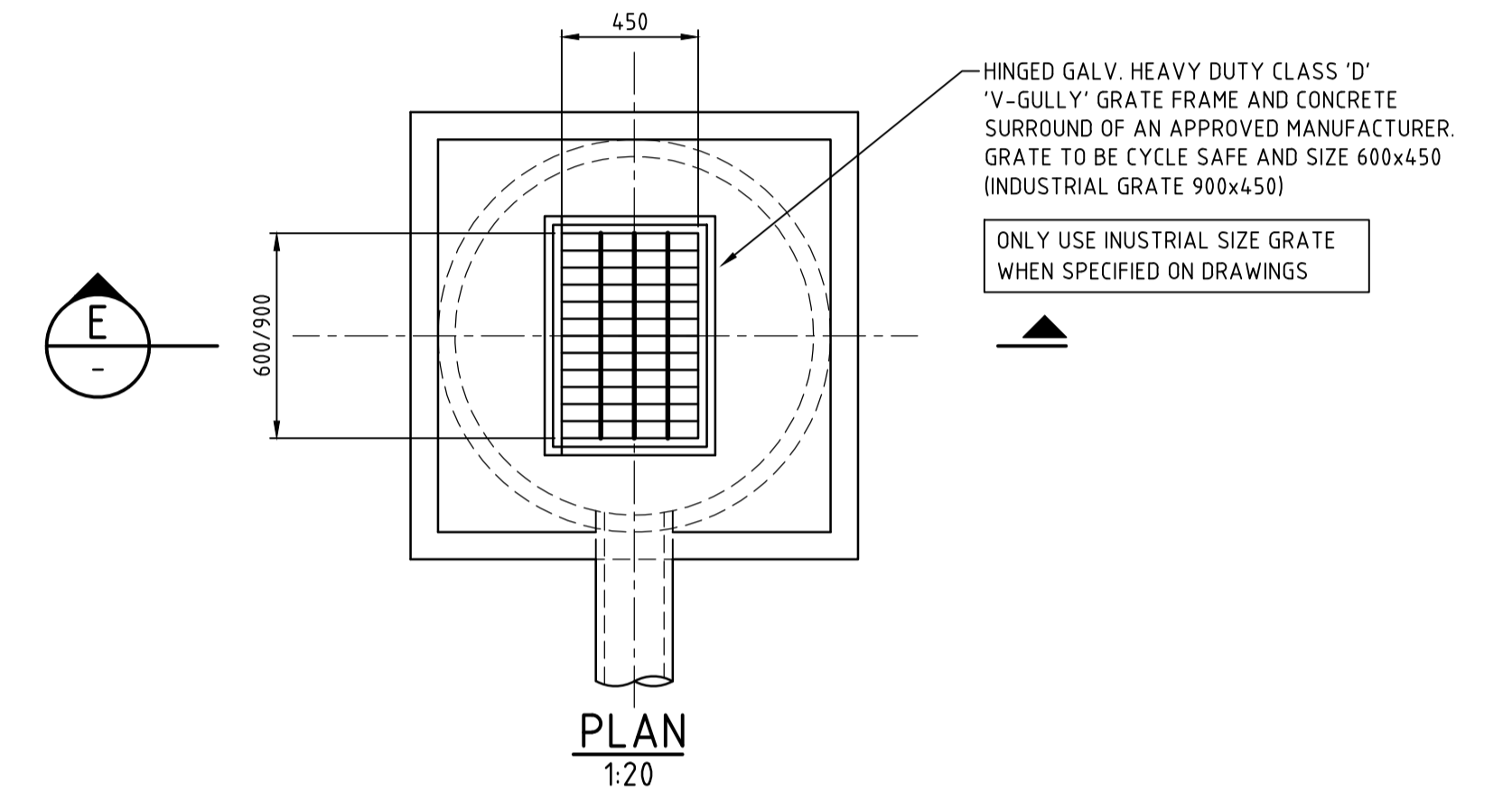
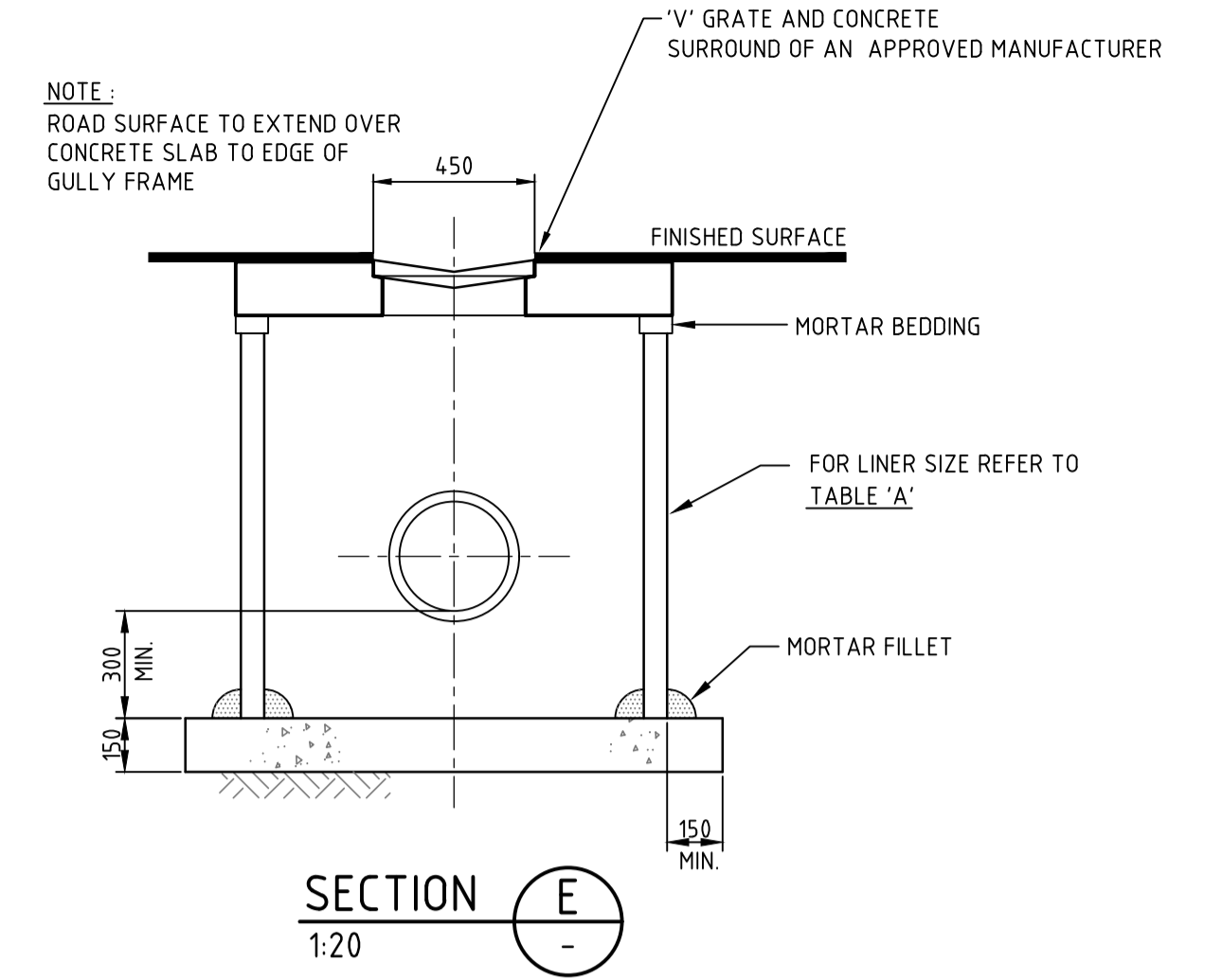
TABLE 'A'

LINER SIZE	MAX. PIPE SIZE	MAX. LATERAL PIPE SIZE		'B'
		THROUGH PIPE	LATERAL PIPE	
φ1050	φ450	φ450	φ450	70
φ1200	φ750	φ600	φ600	0
		φ675	φ525	0
φ1500	φ900	φ750	φ450	220
		φ900	φ750	220
φ1800	φ900	φ1050	φ675	370
		φ1200	φ750	520

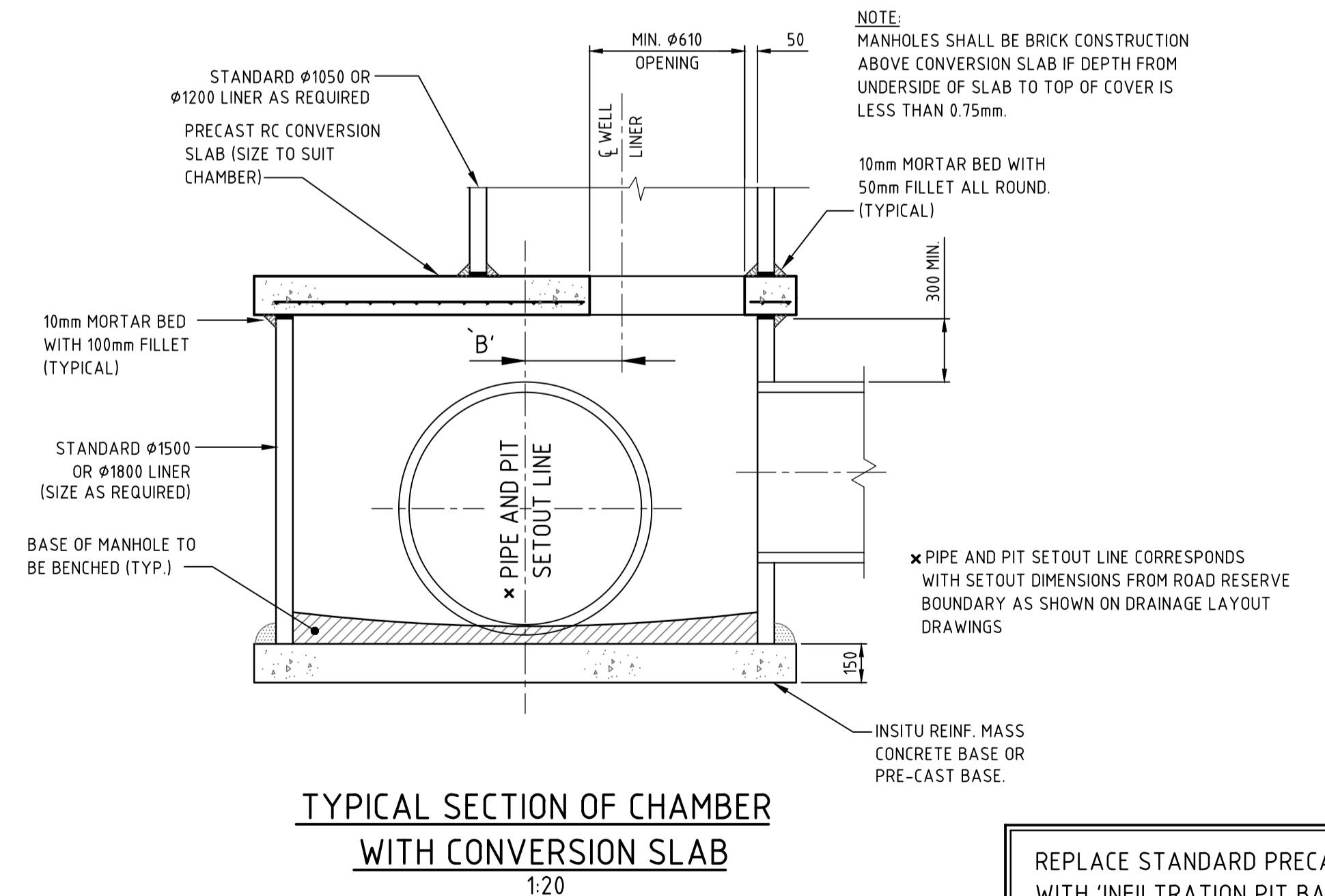
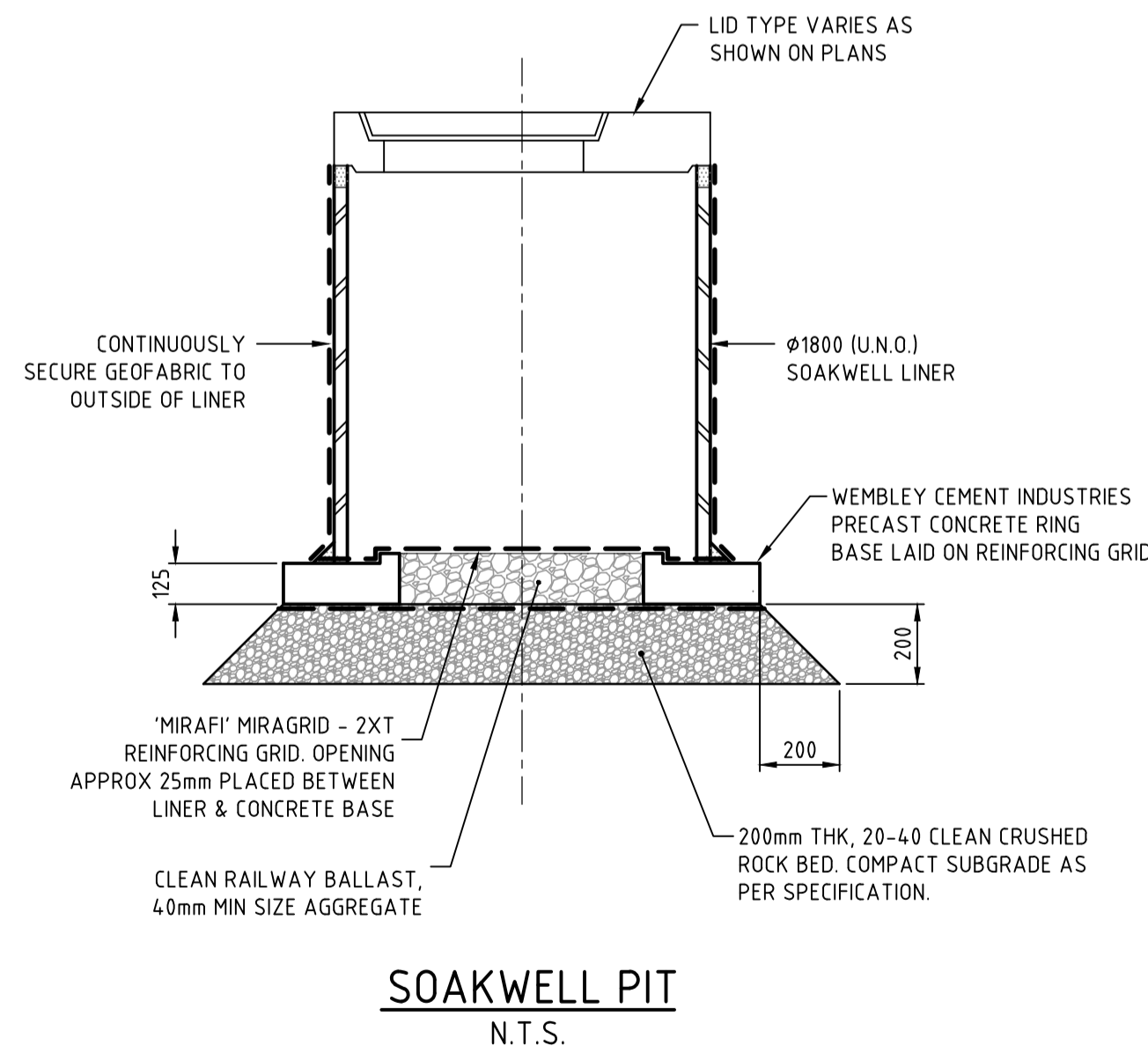
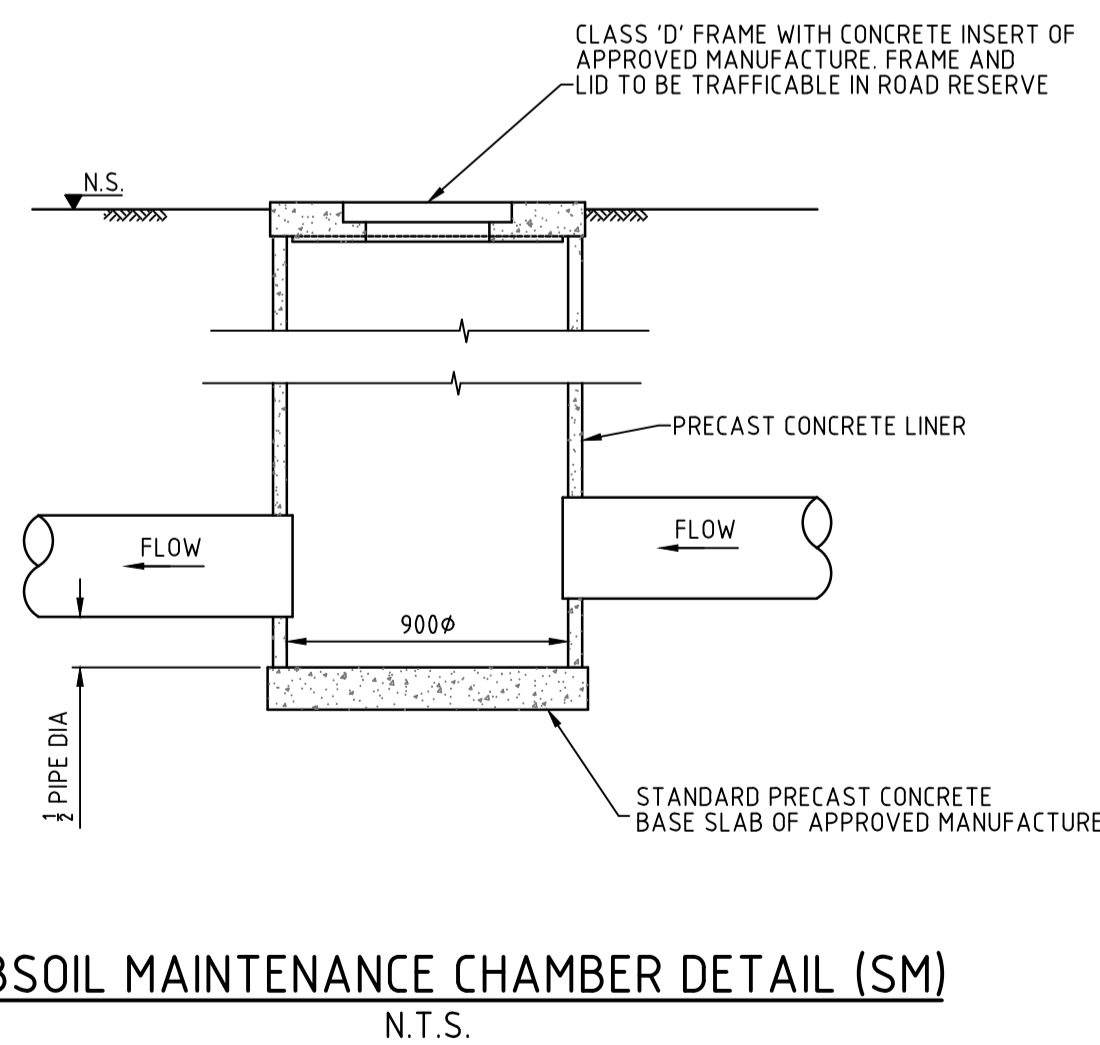
THE ABOVE TABLE IS APPLICABLE WHERE PIPES INTERSECT AT CENTRE TO CENTRE AND AT 90°. OTHER ANGLES OF INTERSECTION MUST BE DISCUSSED WITH THE SUPERINTENDENT.



CIRCULAR GRATED GULLY (CG)



'V' GRATED INLET PIT (VGP)



REPLACE STANDARD PRECAST BASES WITH 'INFILTRATION PIT BASE' AS INDICATED ON DRAINAGE PLANS.

T:\Projects\0000 TABEC Std Drawings\City of Swan\SWAN-STD-D1-04.dwg 10/08/21 4:11:16 reworks

No.	DATE	DRAWN	APPROVED	AMENDMENT	No.	DATE	DRAWN	APPROVED	AMENDMENT
3	27.04.22	RDE	CCB	DOUBLE SIDE ENTRY PIT REMOVED. SUBSOIL MAINTENANCE CHAMBER ADDED.					
2	06.12.19	RDE	JZ	CITY OF SWAN DETAILS REMOVED. REFERENCE TO 'SWAN-STD-S1' ADDED.					
1	05.04.19	RDE	JZ	STEP IRONS REMOVED FROM ALL DRAINAGE PITS.					
0	06.07.17	AI	BBF	ISSUED FOR CONSTRUCTION.					
A	10.02.17	AI	BBF	ISSUED FOR APPROVAL.					

This plan shall not to be used for construction unless issued as rev O and signed as approved.

COPYRIGHT
The concepts and information contained in this document are the Copyright of TABEC Pty. Ltd. Use or copying of the document in whole or part without the written permission of TABEC Pty. Ltd. constitutes an infringement of copyright.

DESIGNED		CHECKED		APPROVED	
DRAWN		CHECKED		DATE	
RDE	JZ	B. FARRELL	06.12.19		

TABEC
Civil Engineering Consultants

14 Wickham Street, East Perth WA 6004
1 08 9425 5900 e info@tabec.com.au
www.tabec.com.au

PROJECT	CITY OF SWAN - STANDARD DRAWINGS
TITLE	STANDARD DETAILS DRAINAGE SHEET 1
DRAWING NUMBER	SWAN-STD-D1
ISSUE	3

SCALE 1:20 0 0.4 0.8 1.2