

VERSION	AMENDMENT	AUTHORISED BY	DATE

FOR INTERESTS AND NOTIFICATIONS
SEE SHEET 3

HELD BY LANDGATE IN DIGITAL FORMAT ONLY

TYPE FREEHOLD S.S.A. YES

PURPOSE SUBDIVISION

PLAN OF
LOTS 2326-2337, 2347-2353, 2359, 2364-2385,
2485, 8019, 9044, 9045, EASEMENT,
COVENANTS, RESTRICTIVE COVENANT,
ROADS AND ROAD WIDENING

FORMER TENURE SEE FORMER TENURE TABLE

LOCAL AUTHORITY CITY OF SWAN

LOCALITY DAYTON

D.O.L. FILE

FIELD RECORD 128018, 115981

SURVEYOR'S CERTIFICATE - REG 54
I, Matthew B. WEBB
hereby certify that this plan is accurate and is a correct
representation of the -
(a) *survey, and/or
(b) *calculations from measurements recorded in the field records,
[* delete if inapplicable]
undertaken for the purposes of this plan and that it
complies with the relevant written law(s) in relation to
which it is lodged.

FINAL
LICENSED SURVEYOR DATE

LOGGED
DATE FEE PAID ASSESS No.

I.S.C.

EXAMINED
DATE

WESTERN AUSTRALIAN PLANNING COMMISSION
FILE 149646, 151111

Delegated under S. 16 P&D Act 2005 DATE

IN ORDER FOR DEALINGS
SUBJECT TO

FOR INSPECTOR OF PLANS AND SURVEYS DATE

APPROVED REG26A (4)

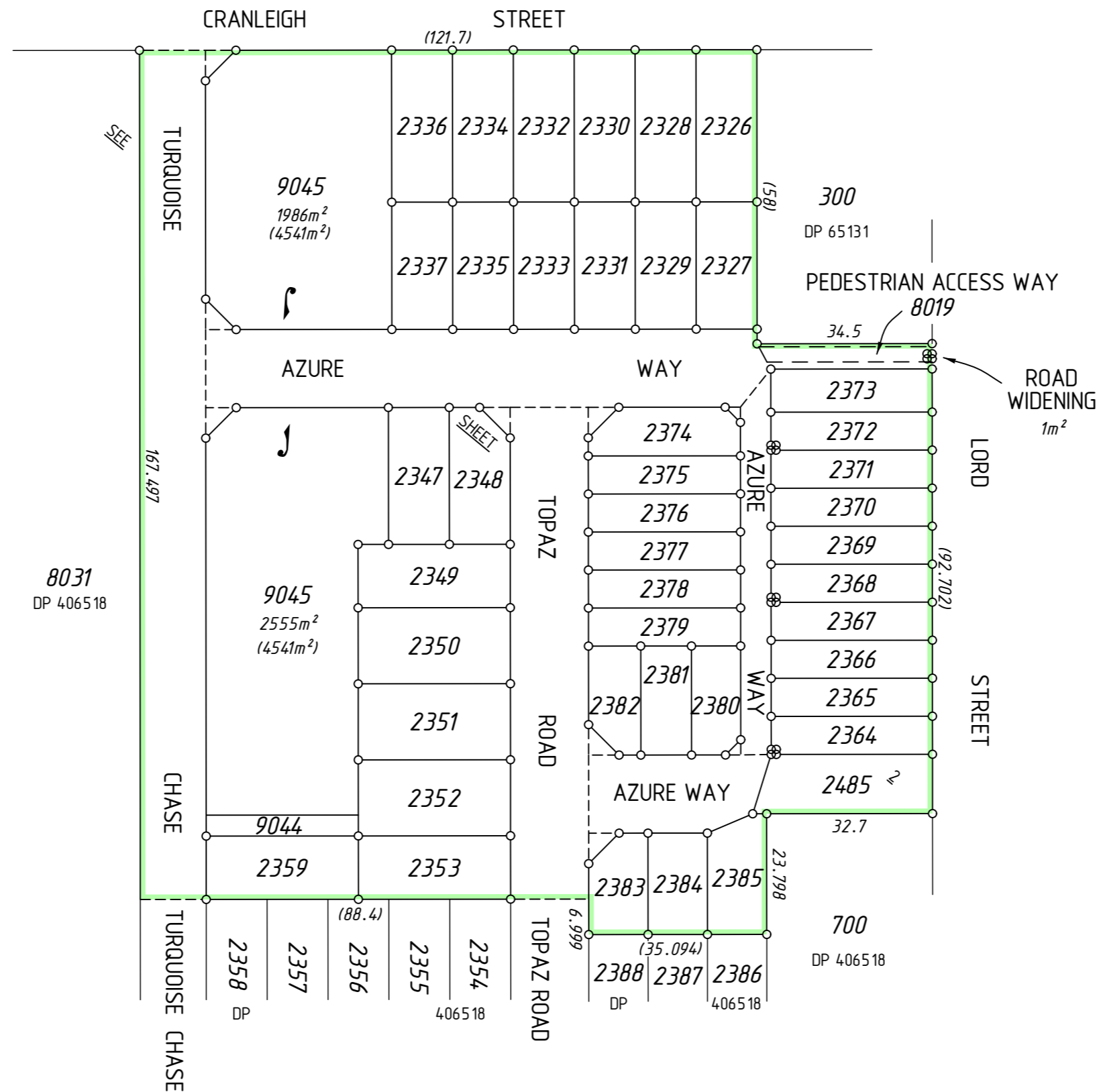
INSPECTOR OF PLANS AND SURVEYS DATE
(S. 18 Licensed Surveyors Act 1909)

GOVERNMENT OF WESTERN AUSTRALIA

Landgate

DEPOSITED PLAN
406712

SHEET 01 OF 03 SHEETS
(PLUS SURVEY SHEET(S))
VERSION 1

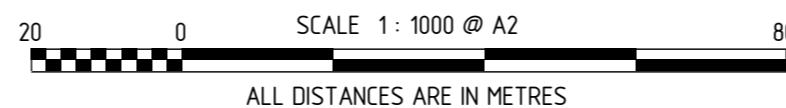


FORMER TENURE TABLE

LOT	FORMER TENURE	ON PLAN / DIAGRAM	TITLE
2326-2337, 2347-2351, 2364-2382, 2485, 8019, 9045	LOT 9043	DP 406518	2887-554
2353, 2359, 2383, 2384, 9044	LOT 9041	DP 406518	2887-553
2352, 2385	LOT 9041 LOT 9043	DP 406518 DP 406518	2887-553 2887-554

SURVEY CARRIED OUT UNDER REG 26A
SPECIAL SURVEY AREA GUIDELINES
SEE SURVEY SHEETS FOR SURVEY INFORMATION

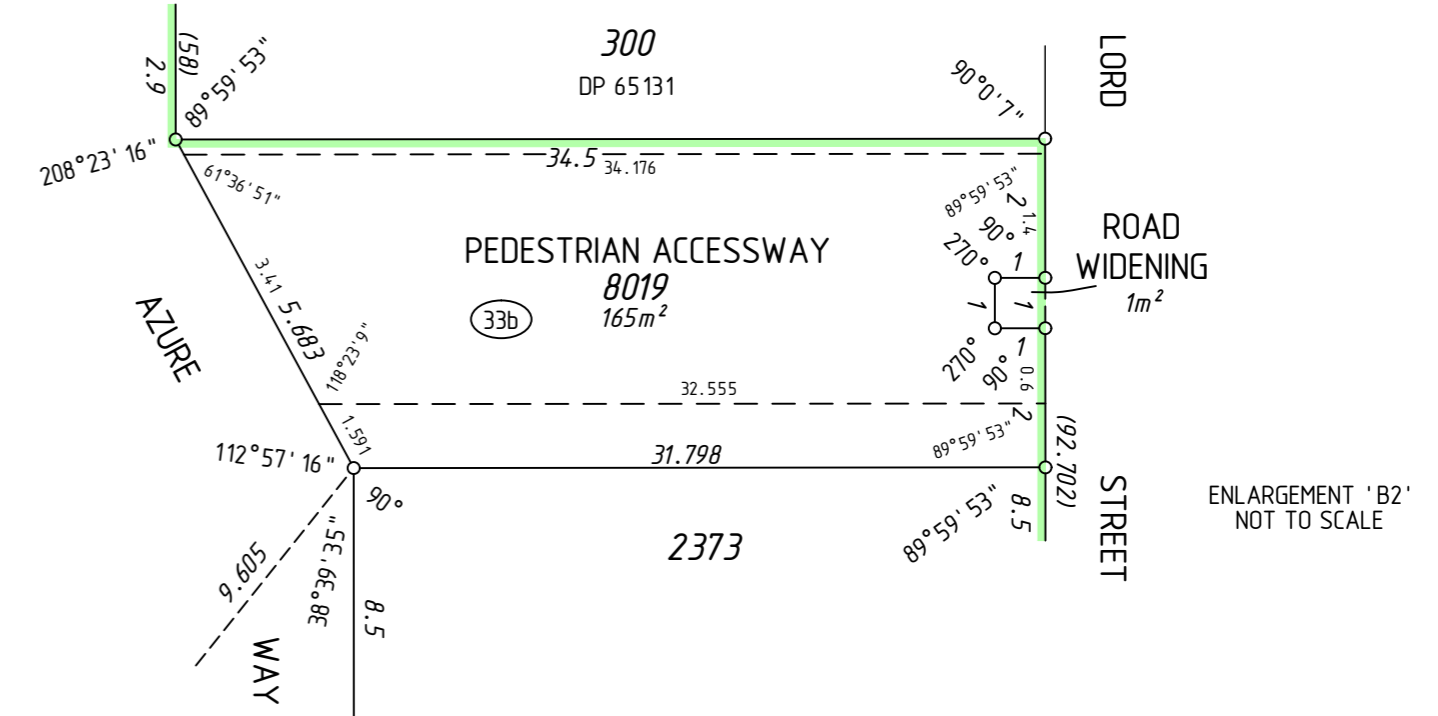
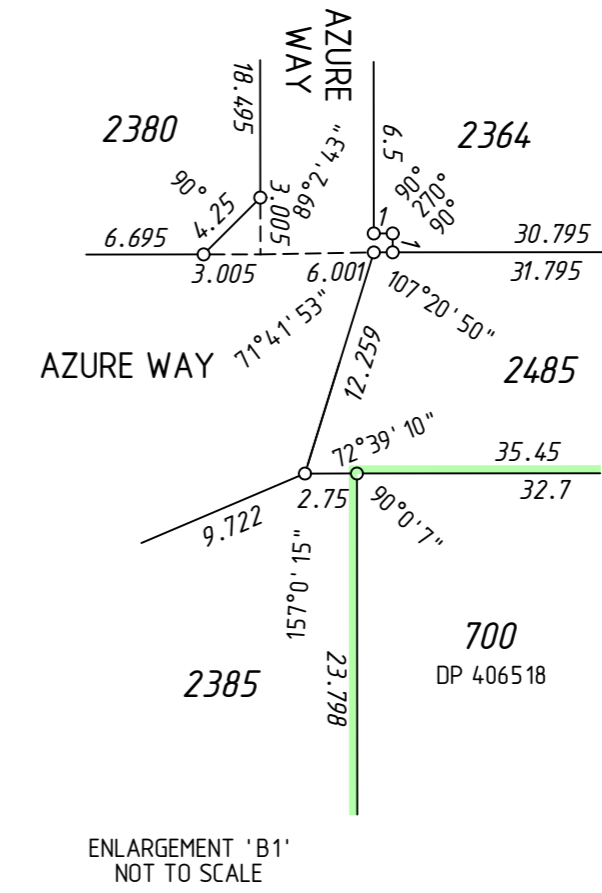
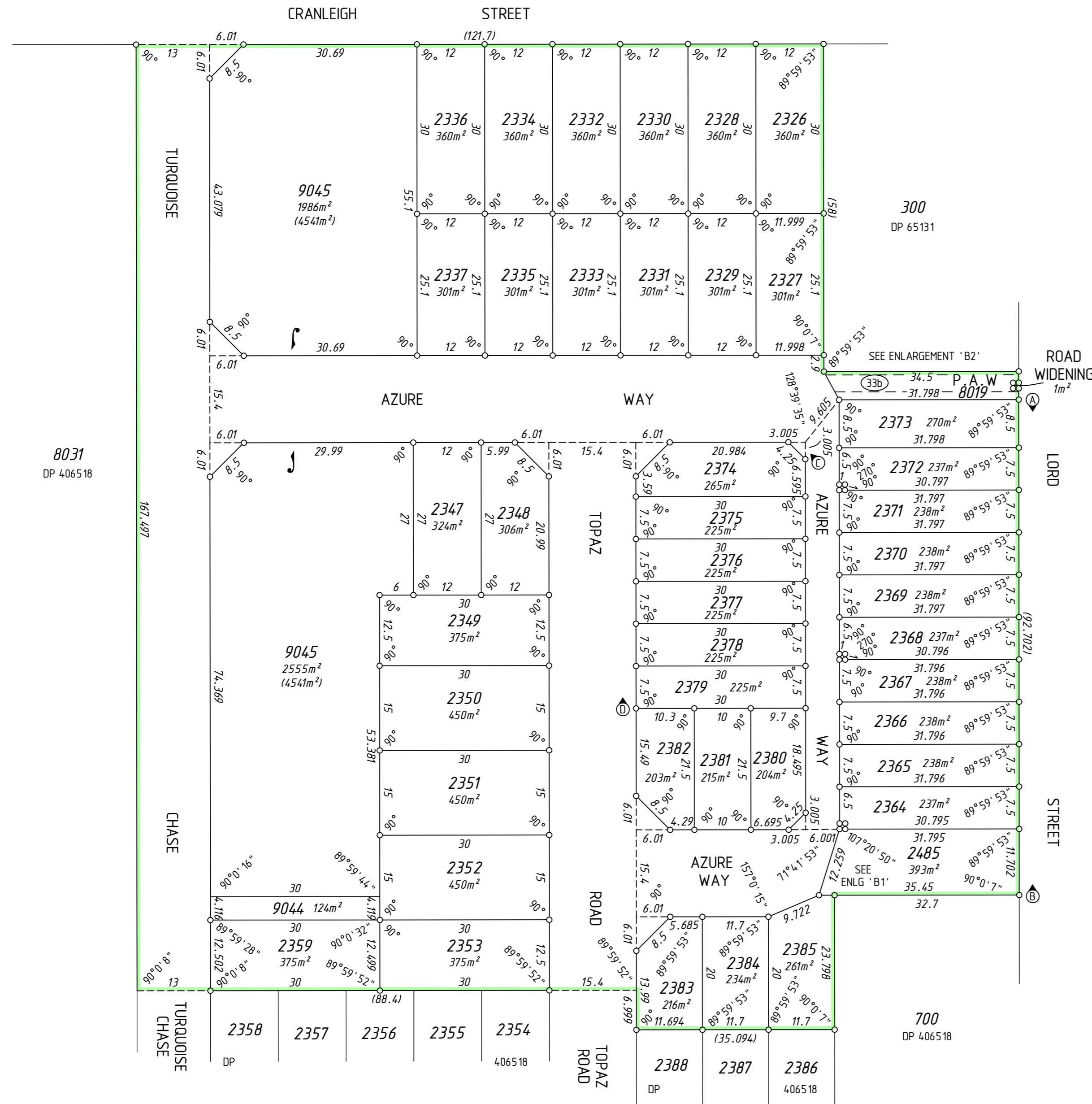
USE ONLY THE SURVEY SHEET/S WHEN DETERMINING
THE TRUE FINAL POSITION AND TYPE OF ALL SURVEY
MARKS PLACED PERTAINING TO THIS PLAN.



MNG
MC MULLEN NOLAN GROUP
PO Box 3526, Success W.A. 6964
Tel: (08) 6436 1599
Fax: (08) 6436 1500
Email: info@mngsurvey.com.au
MNG Ref : 93980dp-422e - Stage 1P - DP406712.CSD

FOR HEADING SEE SHEET 1

FOR INTERESTS AND NOTIFICATIONS
SEE SHEET 3



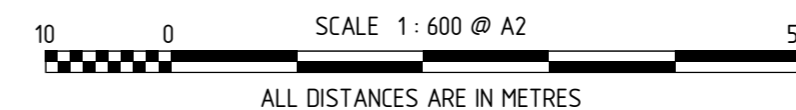
MNG Ref : 93980dp-422e - Stage 1P - DP406712.CSD

FINAL
LICENSED SURVEYOR DATE



SURVEY CARRIED OUT UNDER REG 26A
SPECIAL SURVEY AREA GUIDELINES
SEE SURVEY SHEETS FOR SURVEY INFORMATION

USE ONLY THE SURVEY SHEET/S WHEN DETERMINING
THE TRUE FINAL POSITION AND TYPE OF ALL SURVEY
MARKS PLACED PERTAINING TO THIS PLAN.



HELD BY LANDGATE IN DIGITAL FORMAT ONLY

DEPOSITED PLAN
406712
SHEET 02 OF 03 SHEETS
VERSION 1

INTERESTS AND NOTIFICATIONS

SUBJECT	PURPOSE	STATUTORY REFERENCE	ORIGIN	LAND BURDENED	BENEFIT TO	COMMENTS
33b	EASEMENT (Water Supply)	SEC 167 OF THE P. & D. ACT REG 33 (b)	THIS PLAN	LOT 8019	WATER CORPORATION	
	RESTRICTIVE COVENANT	SEC 136D OF THE T. L. A.	THIS PLAN & DOC	ALL LOTS EXCEPT 8019 9044 & 9045	ALL LOTS EXCEPT 8019 9044 & 9045	
A B	COVENANT	SEC 150 OF THE P. & D. ACT	THIS PLAN	LOTS 2364-2373 & 2485		RESTRICTION OF ACCESS no road vehicle access to/from adjacent roads
C D	COVENANT	SEC 150 OF THE P. & D. ACT	THIS PLAN	LOTS 2374-2379		RESTRICTION OF ACCESS no road vehicle access to/from adjacent roads
LOT 8019	PEDESTRIAN ACCESSWAY	VESTS IN THE CROWN UNDER SEC 152 OF THE P. & D. ACT	THIS PLAN			



MNG Ref : 93980dp-422e - Stage 1P - DP406712.CSD

FINAL

LICENSED SURVEYOR

DATE



SURVEY CARRIED OUT UNDER REG 26A
SPECIAL SURVEY AREA GUIDELINES
SEE SURVEY SHEETS FOR SURVEY INFORMATION

USE ONLY THE SURVEY SHEET/S WHEN DETERMINING
THE TRUE FINAL POSITION AND TYPE OF ALL SURVEY
MARKS PLACED PERTAINING TO THIS PLAN.

DEPOSITED PLAN

406712

SHEET 03 OF 03 SHEETS
VERSION 1

FOR HEADING SEE SHEET 1

THIS SURVEY SHEET WILL BE
REPLACED BY THE SURVEY DATA



MNG Ref: 93980dp-422e



DEPOSITED PLAN

406712

SURVEY SHEET